

**WALL SECTION:
FLOATING SLAB**

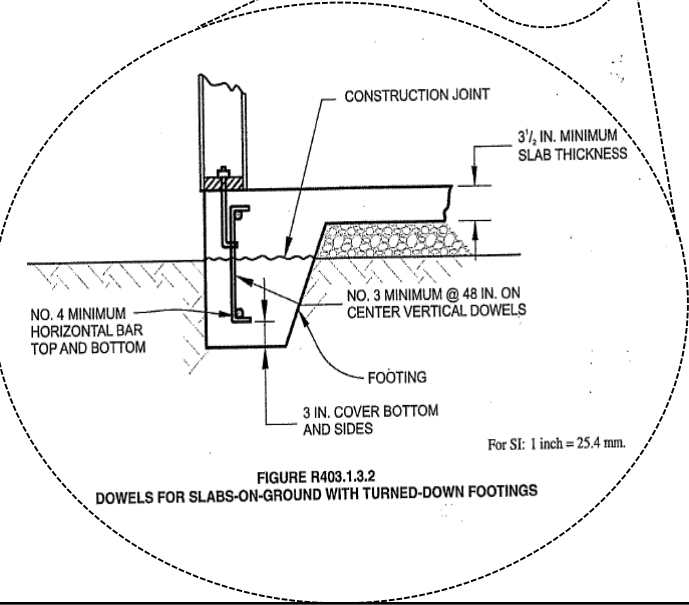


FIGURE R403.1.3.2
DOWELS FOR SLABS-ON-GROUND WITH TURNED-DOWN FOOTINGS